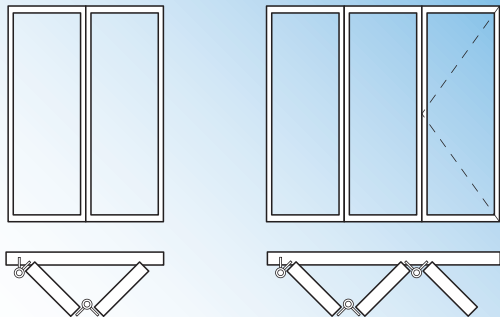
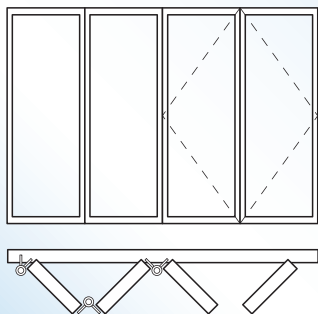


Configurations

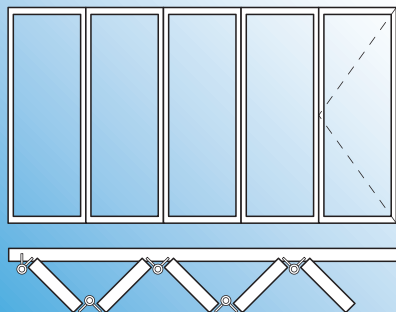
Pair of hinged access doors With 2 or 3no leaves folding / sliding to left (may be handed)



Pair of hinged access doors with 3no leaves folding / sliding to left (may be handed)

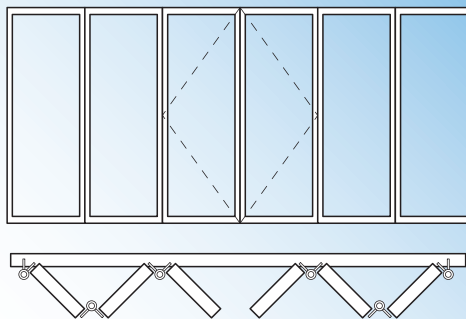


Single hinged access door with 5no leaves folding / sliding to left (may be handed)

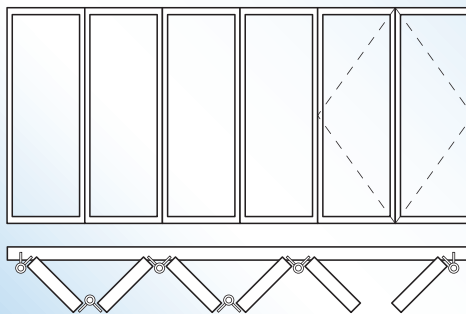


Configurations

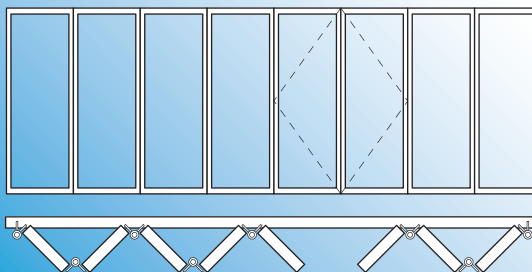
Pair of hinged access doors with 3no leaves folding / sliding to left and 3no to right



Pair of hinged access doors with 5no leaves folding / sliding to left (may be handed)



Pair of hinged access doors with 5no leaves folding / sliding to left and no3 leaves folding / sliding to right (may be handed)

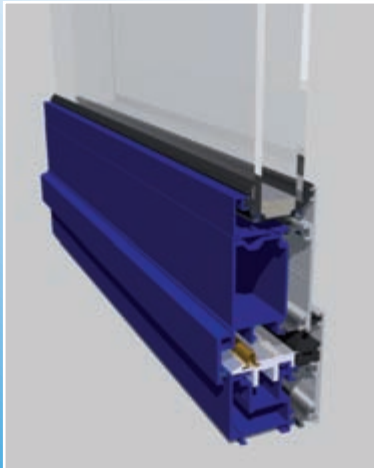


Sliding Folding Door Systems

effortless sliding folding door system

Features

- UK design and manufacture
- High thermal insulation values
- Low maintenance
- Multi point locking for security
- Any RAL colour available including a 25 year warranty
- Dual colour option
- Weather tested to British Standards
- No intermediate stiles giving slim sight lines
- Low threshold and full frame options available
- Inward or outward opening
- 28mm double glazing as standard



Senior Architectural Systems (Senior's) is a major UK supplier of glazing systems, specialising in providing aluminium and timber systems to the highest standards. As well as being totally committed to customer service we actively work with a green agenda demonstrating our commitment to the environment for now and future generations.



SENIOR ARCHITECTURAL SYSTEMS

Eland Road, Denaby Main, Doncaster DN12 4HA
Tel: 01709 772600 Fax: 01709 772601
www.seniorarchitectural.co.uk

Local Supplier

